

PIRATES ISLAND

(SUBSINO CASINO GAME – XVGA SERIES)

This game takes a theme you already love – Pirates Island - to the next level with new XVGA 5-reels and 9-lines of excitement.

- ✓ State-of-the-art graphics promote exciting 3D effect.
- ✓ High Resolution Producing sharper pictures.
- ✓ Remarkable & Swanky Music/ Sounds.
- ✓ Clever player interaction.



Main Game

HOW TO PLAY

- Insert coin(s) or bill(s).
- Press [Bet] to bet one credit for each select line. Or, press [Max Bet] for max bet and begin.
- Then press [Start] button to spin the reels. Press [Stop1], [Stop2], [Stop3], [Stop4] or [Stop5] to stop the reel or [Start] button again to stop all reels.
- When you have any win combination, you win. Press [Take Score] to take winning score into Credit, or press [Double Up], [Half Double] or [Re-Double] to play Double Up game. If Double-Up function is disabled, the system will take scores automatically.
- Press [Help] to check the result of last game and relative game information.



Double up

GAME FEATURES

- **WILD SYMBOL:** Wild Symbol is wild as joker to replace any symbols.
- **ROULETTE FEVER:** Initiated when over 3 Treasure Island symbols land on anywhere, and starting with Bonus game.

The Bonus is to match between the symbol of 4 reels and side running lamp. Any hit is the award as the Pair. Ends the Bonus while running lamp stops at EXIT of 4 corners.

- **FREE PLAY:** Land three or more Corsair symbols anywhere on the reel triggers the fever. It's time for serious free-spin fun and one Joker will change to 3 Jokers on the reel.

- 3 CORSAIRS – Free Play 7 times
- 4 CORSAIRS – Free Play 12 times
- 5 CORSAIRS – Free Play 20 times



Roulette Fever



Free Play

INSTALLATION

● MAIN PCB

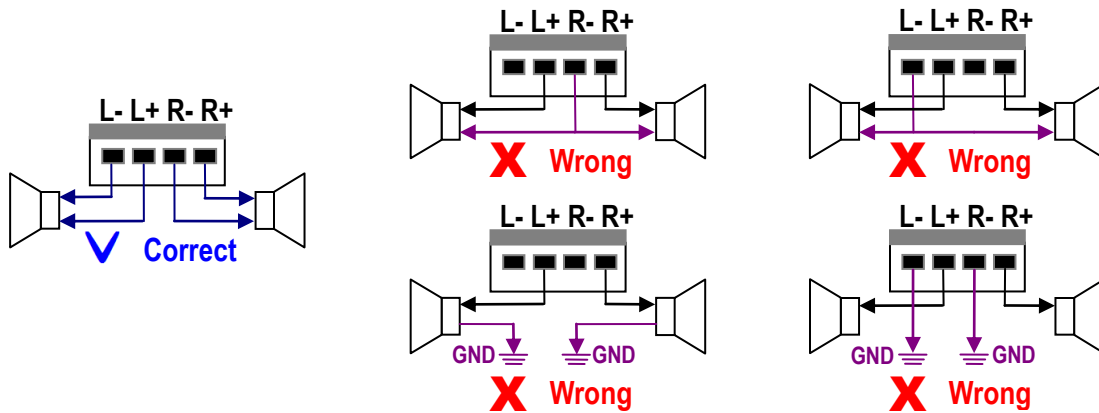
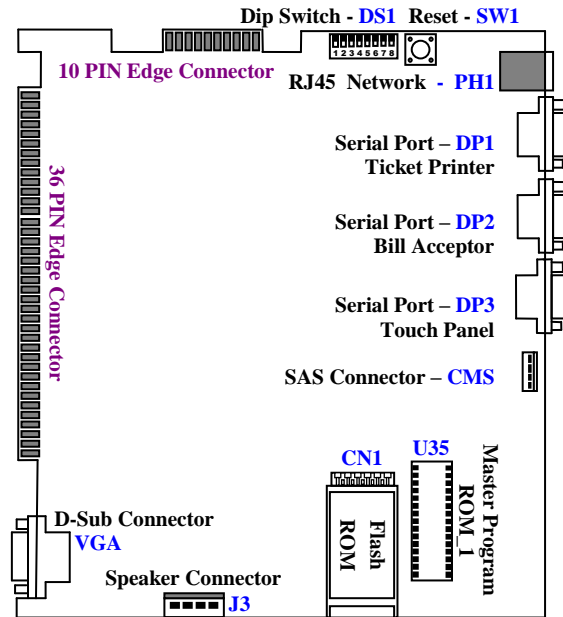
- 1) Make sure you have powered-off game.
- 2) Mount Pirates Island PC Board on the cabinet.
- 3) Connect 36pin and 10 pin edge connector of the cabinet to Edge connectors (36pin & 10 pin) of Pirates Island main PCB. Refer Page 12 for the diagram of Connector.

● MONITOR

- 1) Make sure the monitor (CRT/LCD/TFT) supports **1024x768 resolution**.
- 2) Connect monitor connector to the monitor socket (VGA D-Sub) of Pirates Island main PCB.

● SPEAKER

- 1) Audio Amplifier of hardware is newest powerful stereo Amplifier. It uses 2 set separate speakers for Audio Out. Connect **two speakers to (R+:R-) and (L+:L-)** of J3.
- 2) **Don't connect any of "Audio Out" to Ground (GND) or link directly the speaker to Ground. In the case of wrong Ground linkage, it will cause PC Board (hardware) damage.**



- 3) The **20watt, 8 ohm speaker and more** is recommended. If the power of speaker doesn't enough, the "distortion" may find when audio out.

● TOUCH PANEL

- 1) It's optional and shows relative function automatically after connect.
- 2) Make sure the panel is **3M Microtouch panel or compatible**, and connect to **DP3 – Touch Panel port**. The screen will show relative buttons and function this moment.
- 3) Calibrate: Press [Test/ Setup] on the cabinet to go to "Test/ Setup Mode" and select "Touch Screen Calibrate". Touch a Cross symbol for two times to calibrate.

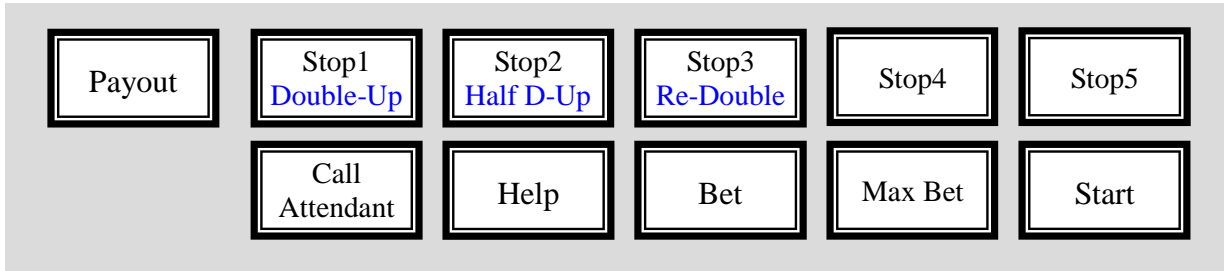
● BILL ACCEPTOR (SERIAL TYPE)

- 1) The game is available to use both pulse and serial type of Bill Acceptor.
- 2) If use serial type of Bill Acceptor as JCM WBA/ UBA or compatible, adjust Dip Switch Dip#1 to ON and link the connector of Bill Acceptor to **DP2** – Bill Acceptor.

● TICKET PRINTER AND SAS PROTOCOL

Both Ticket Printer (**DP1**) and SAS Protocol (**CMS**) are unavailable in the version, and supports in specific version only.

● CONTROL PANEL



Establish above buttons on the panel. Refer the page of Connector Diagram.

▶ STOP1/ DOUBLE, STOP2/ HALF DOUBLE, STOP3/ RE-DOUBLE, STOP4, STOP5

- 1) Stop the reel by Stop1, Stop2, Stop3, Stop4 and Stop5. Play Double Up by Stop2-5.
- 2) Choice Double Up Mode (Double, Half Double or Re-Double).

▶ START/ ALL STOP/ TAKE SCORE

- 1) Begin the game and again to stop all reels.
- 2) Take winning score after won.

▶ BET: To bet one credit per push for each line.

▶ MAX BET: To wager max value of bet and start the game.

▶ HELP: Check last game and game features before the player bets.

● POWER ON AND CHECK

- 1) After you do all of above, please power on the game. Check +5V DC on main PCB side. The voltage between +4.95 to 5.05V DC is good.
- 2) Press [Test/ Setup] on the cabinet to go to “Test/ Setup Mode”.
- 3) Refer Page 4 to 7 of “Test/ Setup Mode” to set each setting.
- 4) Also, check each function and movement in Test/ Setup Mode. (All buttons & lamps, TV size and color adjustment ... etc.)
- 5) Please refer to page 10 of “Troubleshooting” or “Error” if you have any problems or malfunctions.

TEST AND SETUP

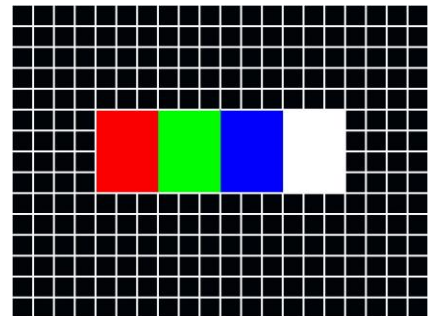
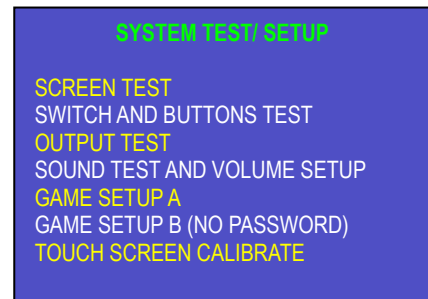
If you need to check the condition of the game circuitry, controls or set system value, you can use the Test/ Setup Mode.

Power ON and Press [Test/ Setup] key will go to the mode, as right.

- Moving the bar by pressing [Stop1] button. After choosing one of the contents with the bar, press the [Stop5] to enter.
- Press [Start] to exit and back to game mode of main screen. In the case, the value you adjusted would available instantly, which don't necessary to turn off the power.

1) SCREEN TEST

- Use this screen to check the color of monitor and the size of pictures.
- The color bands in the center should be Red, Green, Blue and White from left to right.
- The Cross Hatch test pattern has a white grid on a black background. The check as follows:
 - ▶ The grid line should be straight, and the lines should not have excessive pincushion or barrel distortion.
 - ▶ “Out” line of grid line is same size as “Out” line of game screen, which should able to be seen without overflow of grid lines on screen.
- If the screen does not match above description, adjust the monitor as described in the monitor’s manual.
- Press the [Start] button to back main menu.



2) SWITCH AND BUTTONS TEST

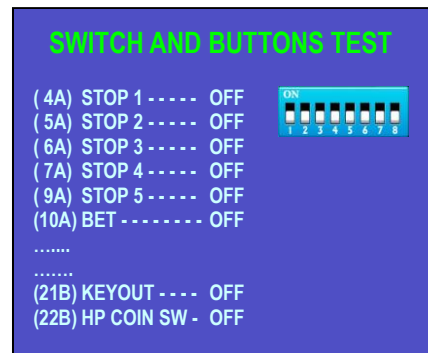
Use this screen to check the buttons and the switch in this game.

- To check the functioning of each button and switch, activate it and watch the corresponding “OFF” letters change to “ON”. If the “ON” and “OFF” letters don’t appear correctly, check the hardness connections and switches.
- Press the [Start] button to back main menu.

3) OUTPUT TEST

Use this screen to check the lamp of buttons in this game.

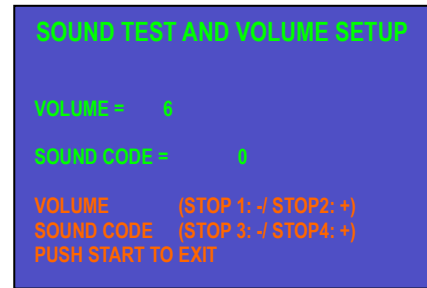
- To check the functioning of each output, including Counters and lamp of button. Press [Stop1] to move and press [Stop1] to test as watch the corresponding lamp ON.
- Counters, Bill Inhibit, Coin Inhibit and HP Full Out are to test the action, no lamp.
- Press the [Start] button to exit.



4) SOUND TEST AND VOLUME SETUP

Use this screen to check all game sounds and setup the volume as soft volume control.

- Adjust the volume by pressing [Stop1] to decrease and [Stop2] to increase.
- Choice a sound by pressing [Stop3] button (previous) or [Stop4] button (next), and the machine will make a sound in the moment.
- Press the [Start] button to back main menu.



5) GAME SETUP A

The setup items are important and operated by important person as owner only. The password is necessary before enter the screen of Game Setup A.

The default value is 111111 (six 1) and enable to change in same password screen.

[Stop1] button for 1; [Stop2] button for 2; [Stop3] button for 3;
[Stop4] button for 4; [Stop5] button for 5;

When the password input with correct, “OK!” is shown on the screen. To change new password, press [Max Bet] button and input new password as you want. Or, press [Start] button to enter screen of Game Setup.



Use the screen to manually adjust the game setting.

- Moving the bar by pressing [Stop1] button.
- Select the setting value by pressing [Stop5] button.
- Press the [Start] button to back main menu. In the case, the value you adjusted would available instantly, which don't necessary to turn off the power.

| Contents | Setting Selection (Underlined in setting selection are default settings) |
|-----------------|--|
| COIN | OFF, 1 ,5, 10, 20, 25, 50, 75, <u>100</u> , 150, 200, 300, 500, 1000 |
| KEYIN | OFF, 10, 20, 50, 75, 100, 200, 300, <u>500</u> , 1000, 2000 |
| PAYOUT | OFF, 1 ,5, 10, 20, 25, 50, 75, <u>100</u> , 150, 200, 300, 500, 1000 |
| KEYOUT | OFF, 10, 20, 50, 75, 100, 200, 300, <u>500</u> , 1000, 2000 |
| BILL IN | OFF, 1 ,5, 10, 20, 25, 50, 75, <u>100</u> , 150, 200, 300, 500, 1000 |
| MIN. BET | 9, 45, <u>90</u> , 180, 270, 360 |
| MAX. BET | 90, 180, 270, 360, <u>450</u> |
| WIN RATE | 90, 91, 92, 93, 94, 95, <u>96</u> , 97, 98 |
| GAME LIMIT | 50000, <u>100000</u> , 200000, 300000, 500000, 1000000 |
| WIN RATE WAVE | <u>NORMAL</u> , HIGH |
| DOUBLE FUNCTION | <u>ENABLE</u> , DISABLE |
| RE-DOUBLE | <u>ENABLE</u> , DISABLE |
| HALF-DOUBLE | <u>ENABLE</u> , DISABLE |
| DOUBLE RATE | 90, 91, 92, 93, 94, 95, <u>96</u> , 97, 98 |
| DOUBLE LIMIT | 50000, <u>100000</u> , 200000, 300000 |

- ▶ Coin: Adjust how many credits per insert coin.
- ▶ Keyin: Adjust how many credits per Keyin.
- ▶ Payout: Adjust how many credits per pay coin.
- ▶ Keyout: Adjust how many credits per pay Step when Keyout.
- ▶ Bill In: Adjust how many credits per Bill signal.
- ▶ Min Bet: Adjust how many min bets to start the game.
- ▶ Max Bet: Adjust how many max bets can bet at one play.
- ▶ Win Rate: Adjust total rate % of game.

The win Rate is calculated and defines as follows:

$$\text{Win Rate} = \frac{\text{Total Won Score}}{\text{Total Played Score}}$$

Since this is quite different from some games, which defined the rate as “Coin Out” divided by “Coin In” (Usually call Payout Rate). You shouldn't set the win rate at the same value used in the games. In our experience, the ideal Win Rate is 94%.

Please don't RESET except necessary. To stabilize the rates, the game should operate a period (more long, more steady) for the balance as setup.

- ▶ Game Limit: Adjust how many credits game can hold.
- ▶ Double Function: Play D-Up game when Main Game won. The play score in D-Up is winning score in main game.
- ▶ Re-Double: The play score in Double Up is twice winning score in main game.
- ▶ Half Double: The play score in Double Up is a half of winning score in main game.
- ▶ Double Rate: The rate of D-Up game and defines as Win Rate.
- ▶ Double Limit: To limit the winning score in Double Up. The system will take the score automatically when winning score is over Double Limit.

6) GAME SETUP B (NO PASSWORD)

The setup items are general ones and can operate by the staff in field. The password is unnecessary for the function of Game Setup B.

Use the screen to manually adjust the game setting.

| GAME SETUP | |
|-----------------------|---------|
| TOUCH SCREEN | DISABLE |
| DEMO MUSIC | DISABLE |
| DEMO SHOW | DISABLE |
| KEYOUT TYPE | ZERO |
| MAX. PAY TOKENS | FREE |
| BILL INHIBITION | N.C |
| HOPPER SW TYPE | N.O. |
| AUTOPLAY | ENABLE |

| Contents | Setting Selection (Underlined in setting selection are default settings) |
|-----------------|--|
| TOUCH SCREEN | ENABLE, <u>DISABLE</u> |
| DEMO MUSIC | <u>ENABLE</u> , DISABLE |
| DEMO SHOW | <u>ENABLE</u> , DISABLE |
| KEYOUT TYPE | <u>ZERO</u> , REST |
| MAX. PAY TOKENS | 200, <u>300</u> , 400, 500, 1000, FREE |
| BILL INHIBITION | <u>N.C.</u> , N.O. |
| HOPPER SW TYPE | <u>N.C.</u> , N.O. |
| AUTO PLAY | <u>ENABLE</u> , DISABLE |

- ▶ Touch Screen: To enable or disable Touch Function.
- ▶ Demo Music: To enable or disable demo music.
- ▶ Demo Show: To enable or disable demo function.
- ▶ Keyout Type: Adjust Keyout should take to 0 (zero) or under one Keyout value (rest).
- ▶ Max Pay Tokens: Adjust max coins are paid, which to avoid the hopper empty.
- ▶ Bill Inhibition: For Bill Acceptor. N.C. - Normal close (low), N.O. – Normal Open (Hi).
- ▶ Hopper Sw. Type: For Hopper. N.C. - Normal close (low), N.O. – Normal Open (Hi).
- ▶ Auto Play: To enable or disable play automatically.

7) TOUCH SCREEN CALIBRATE

The item appears only when Touch Panel was connected. It's to calibrate the touch position. Enter the item and touch a Cross symbol for two times to calibrate.

8) DIP SWITCH FUNCTION

Except Screen Setup, some of functions are defined and setup from Dip Switch of PC Board, as follows:

| DIP SWITCH | | 1 | 2 | 3 | 4 | 5 | 6 | 7 | 8 |
|--------------------------------|--------------|-----------|---------------------------------|-----|-----|---|---|---|---|
| BILL ACCEPTOR | Serial Pulse | ON OFF | JCM bill acceptor or compatible | | | | | | |
| DOOR OPEN | N.C. N.O. | | ON OFF | | | | | | |
| HOPPER PULSE (Milli-Second) | 30 ms | | | OFF | OFF | | | | |
| | 40 ms | | | ON | OFF | | | | |
| | 50 ms | | | OFF | ON | | | | |
| | 60 ms | | | ON | ON | | | | |

BOOK

Press [Book] button to enter Book screens. Press [Stop5] to enter next page and [Stop1] for previous page. Press [Start] button to back normal game.

First Page



The page shows the records from last “check out” till now.

Play Times: Total played times.
 Play Scores: Total played score.
 Win Scores: Total won score.

“Check Out”: To clear this page. Please refer Page 9, Reset function for Clear Current Record Only.

Second Page



The Score column of top form shows the score of Coin, Payout, Keyin, Keyout, Bill In and Net.

The Counter column shows "System Counters". It doesn't able to clear by anyway and affected by Reset function, which to compare relatively with machine's mechanical counters when “check out each time”.

(Total/ Main Game/ Double-Up) Played & Won

Played scores and Won scores in Total/ Main game/ Double game.

(Total/Double-Up) Play Times & Win Times

Played times & Win times in Total/Double game.

Power Times: The times of Power ON.

Third Page



(Free Play /Roulette Fever) Times & Score

Won times and Won scores in Free Play /Roulette Fever game.

Fourth & Fifth Page: Both pages shown winning times of each prize.



RESET (Clear)

● CLEAR ALL

Turn off the power. Turn on [Book] and [Setup] key simultaneously and then turn on the power. (If [Book] or [Setup] make by the buttons, you should press without release.)

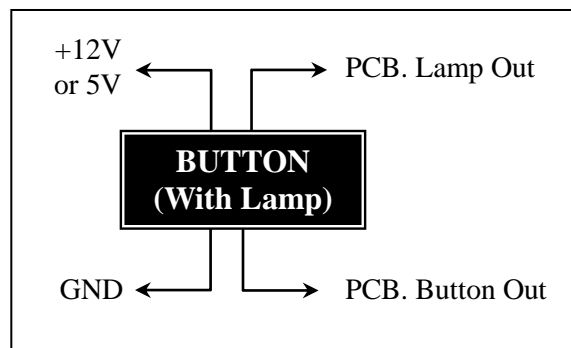
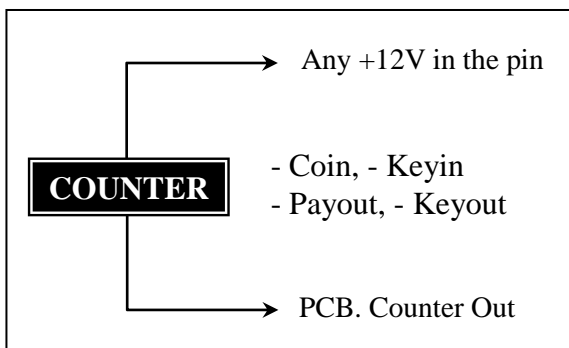
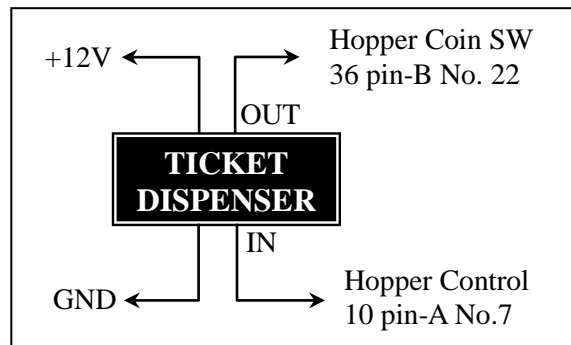
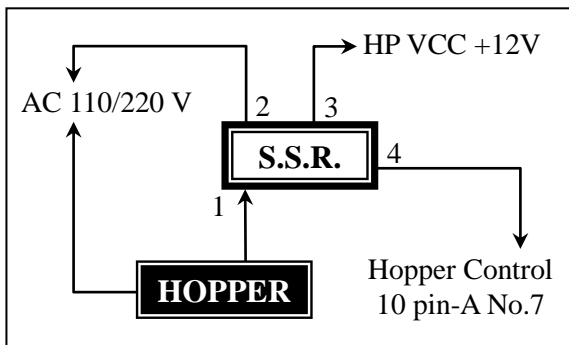
The screen will show "System Reset", which means all of Book data have cleared and game setup values have changed to default value. ("System Counters" in the second page of Book remain unchanged and cleared to zero.).

- ▶ RESET button on the board is unavailable in current version.
- ▶ You should do RESET if you change the Master Rom (Rom_1).
- ▶ Don't forget to do RESET after changed the Win Rate.

● CLEAR CURRENT RECORD ONLY (CHECK OUT)

Turn on [Book] Key (or press [Book] button) to enter first page of Book for Current Record. Press [Stop2] and [Stop3] button simultaneously to clear the data of this page. The total records (second page) for from initial operation remain unchanged by this function.

MACHINE LAYOUT



ICT BILL ACCEPTOR - CONNECTOR – CN#1

| | |
|---------------|--|
| PIN#1(Red) | - To PCB +12V |
| PIN#2(Orange) | - To PCB GND |
| PIN#3(Yellow) | - To PCB +12V |
| PIN#4(Green) | - To PCB BILL GND (36 Pin Side A, #34) |
| PIN#5(Blue) | - To PCB BILL (36 Pin Side A, #15) |
| PIN#6(Purple) | - Unused |

ERROR MESSAGE

| MESSAGE | DESCRIPTION |
|--------------|--|
| System Error | The system may a little confusion instantly. Please do Reset function. |
| Coin Jam | Power off. Remove the jammed coin from coin selector and power on again. For general error (without jam), press directly “Reset Error” button. |
| Hopper Jam | Power off. Remove the jammed coin from the hopper and power on again. For general error (without jam), press directly “Reset Error” button. |
| Hopper Empty | Hopper without Coins/Tokens. Please power OFF and insert Coins/Tokens then power ON again. |

TROUBLESHOOTING

| SITUATION | FIX |
|---|---|
| Coin Error | Check coin switch, coin selector and wire wrong. |
| No sound | <ul style="list-style-type: none"> ● Check the wire of (R+:R-) and (L+:L-) of J3. Two Speaker GND need to be wired separately and don't use same ground. ● Check “Volume setup” on setup page whether close or not. |
| The counter doesn't work | Check the +12V DC (or +5V DC) line of the counter wire. The wires sometimes are not linked together 10 pin edge connector side of hardness. Please re-wire. |
| Malfunction of the button, switch and lamps | Check the GND wire. The button, Switch GND has to wire with common GND. Or, check micro switch of button is too old or dirty and the lamp whether out of order. |
| Coin or Keyin with wrong value | <ul style="list-style-type: none"> ● Check Coin and Keyin wire. Keyin SW port may wire to Coin SW or Bill Acceptor and so on. Please re-wire to correct port. ● Check Game Setup. |
| Test/ Setup unavailable | Check connection of GND wire between “Test/ Setup” line and common GND line. The GND wire needs to connect with other common GND line. |
| The Monitor unregulated or Wavy | Adjust the brightness, size and so on as described in the monitor's manual. |
| Touch Screen doesn't react | <ul style="list-style-type: none"> ● Check the connector of touch screen link exactly to DP3 – Touch Panel port. ● Check “Game Setup B” of Test/ Setup Mode”, Touch Screen set to “Enable” item. And then, power Off and On again to ensure the setup is available. |

CONNECTOR DIAGRAM

Pirates Island (Standard)

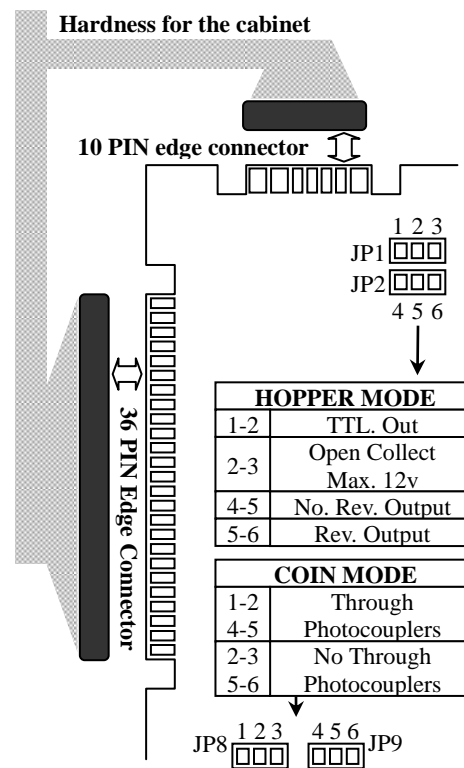
| COMPONENT SIDE A | 36 PIN | SOLDER SIDE B |
|------------------|--------|--------------------------|
| | 1 | |
| | 2 | |
| | 3 | |
| Stop1 | 4 | |
| Stop2 | 5 | |
| Stop3 | 6 | |
| Stop4 | 7 | |
| | 8 | |
| Stop5 | 9 | |
| Bet | 10 | |
| Max. Bet | 11 | |
| Attendant | 12 | |
| Start | 13 | |
| Help | 14 | |
| Bill | 15 | |
| Clear Error | 16 | |
| | 17 | |
| Coin | 18 | Keyin |
| Door Alarm | 19 | |
| Book | 20 | Test/ Setup SW |
| Payout | 21 | Keyout SW |
| HP Full SW | 22 | Hopper SW ⁽¹⁾ |
| Coin Counter | 23 | Attendant Lamp |
| Keyin Counter | 24 | |
| | 25 | |
| Bill in Counter | 26 | |
| Payout Counter | 27 | |
| Keyout Counter | 28 | Door Open Lamp |
| Stop1 Lamp | 29 | Bet Lamp |
| Stop2 Lamp | 30 | Max Bet Lamp |
| Stop3 Lamp | 31 | Start Lamp |
| Stop4 Lamp | 32 | Help Lamp |
| Stop5 Lamp | 33 | Max. Win Lamp |
| Bill Inhibit | 34 | Coin Inhibit |
| HP Full Out | 35 | |
| GND | 36 | GND |

| COMPONENT SIDE A | 10 PIN | SOLDER SIDE B |
|-------------------------------|--------|-----------------------|
| GND | 1 | GND |
| GND | 2 | GND |
| +5V | 3 | +5V |
| +5V | 4 | +5V |
| +12V | 5 | +12V |
| | 6 | |
| ⁽²⁾ Hopper Control | 7 | HP VCC ⁽³⁾ |
| | 8 | |
| GND | 9 | GND |
| GND | 10 | GND |

⁽¹⁾ HP Coin SW: Out signal for Hopper

⁽²⁾ HP Control: In signal for Hopper

⁽³⁾ HP VCC - (DC+12V)



- ▶ Clear Error button: To correct instantly the message of “Coin Error”, “Coin Jam” and “Hopper Jam” etc after fix.